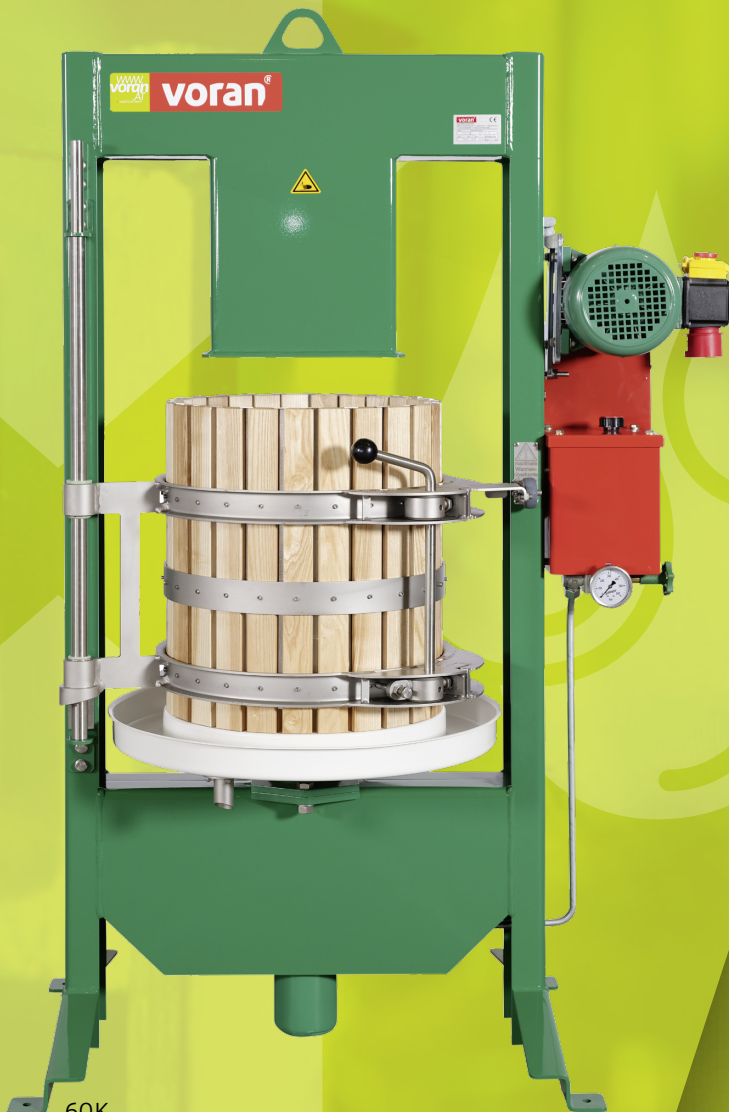


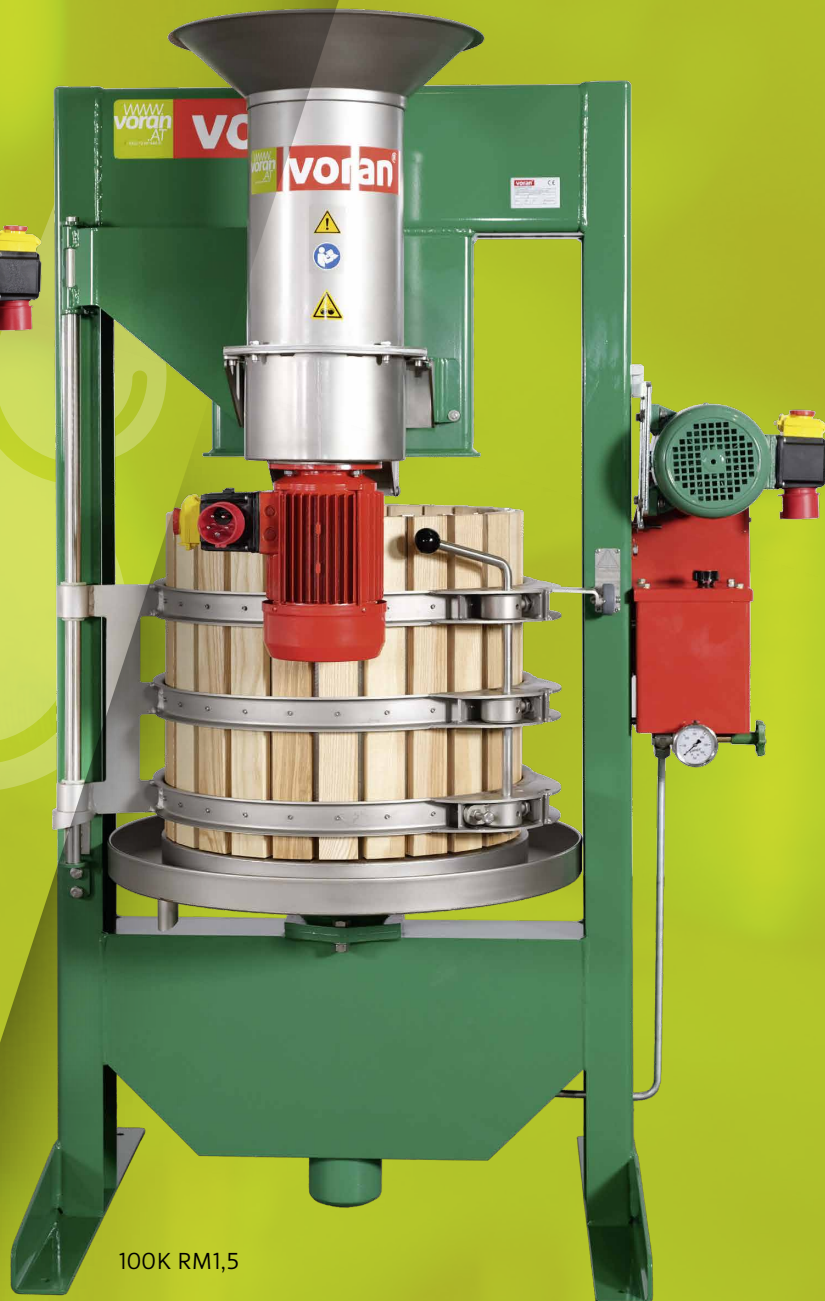
**voran**<sup>®</sup>

machinery

# Basket press 60K 100K



60K






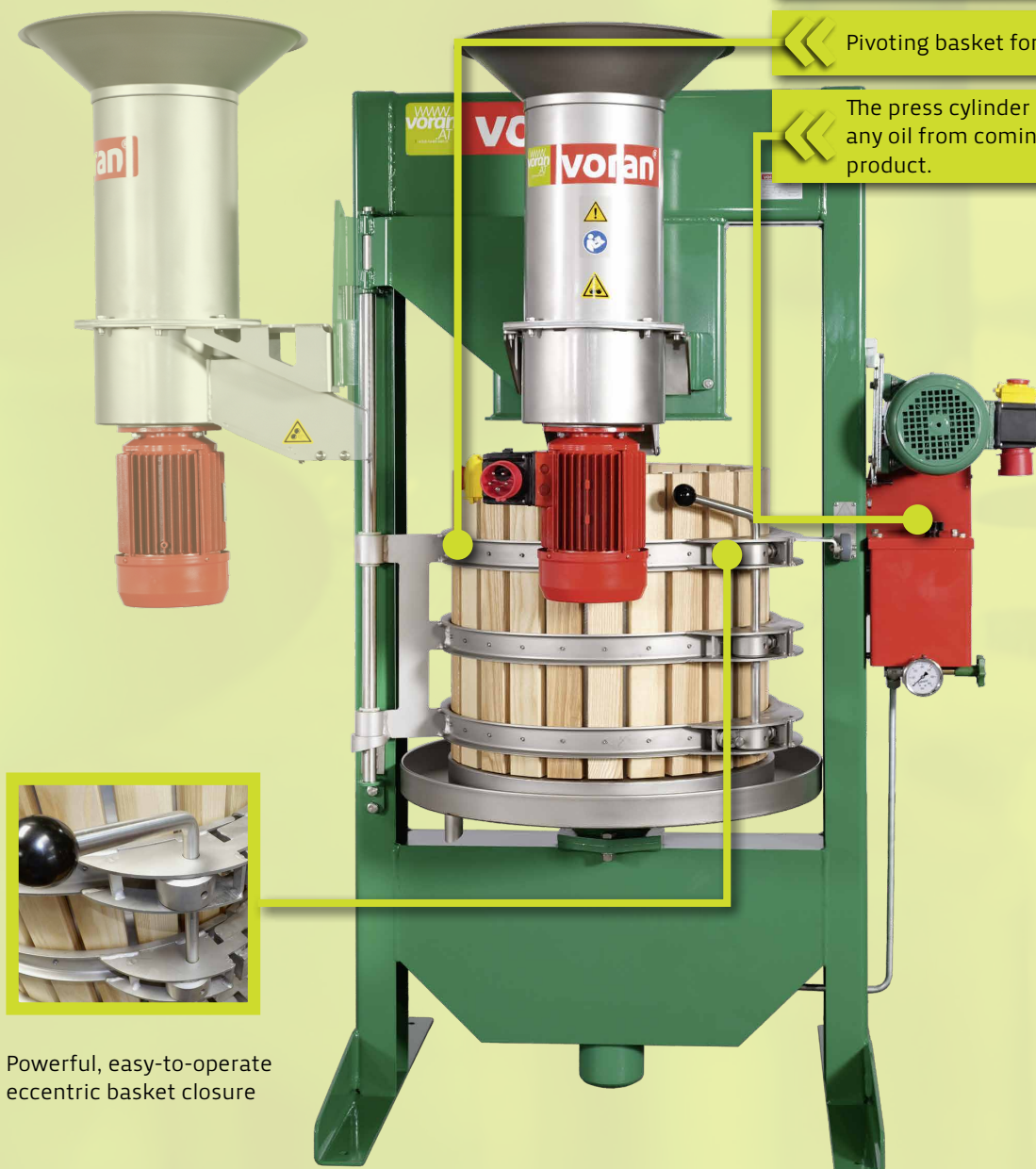
100K RM1,5

# Pressing fruit...

## The best from the basket

- High yield
- Smooth-running stainless steel eccentric closure for pivoting round basket
- All parts coming into contact with fruit are produced from stainless steel, wood or plastic
- Simple operation
- Easy cleaning
- Maintenance-free hydraulic pump without suction valve or collar
- Automatic 380-bar overpressure valve (for 100K) and 320 bar (for 60K)
- Low-maintenance technology

Milling	Pressing	Pasteurising
 <p>RM series Masher</p>	 <p>60K 100K</p>	 <p>PA series</p>



Optional: attached, pivoting centrifugal mill for direct basket filling

Pivoting basket for easy emptying

The press cylinder beneath it prevents any oil from coming into contact with the product.

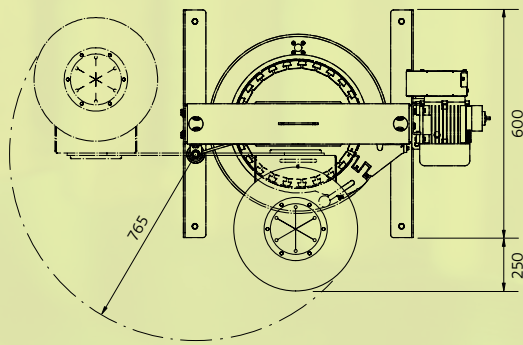


Powerful, easy-to-operate eccentric basket closure

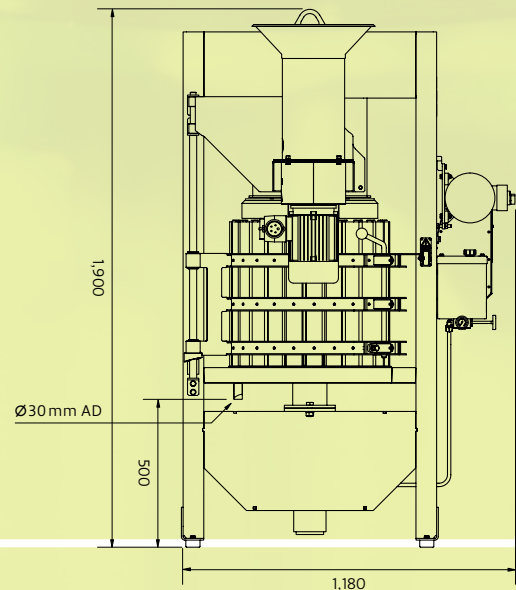
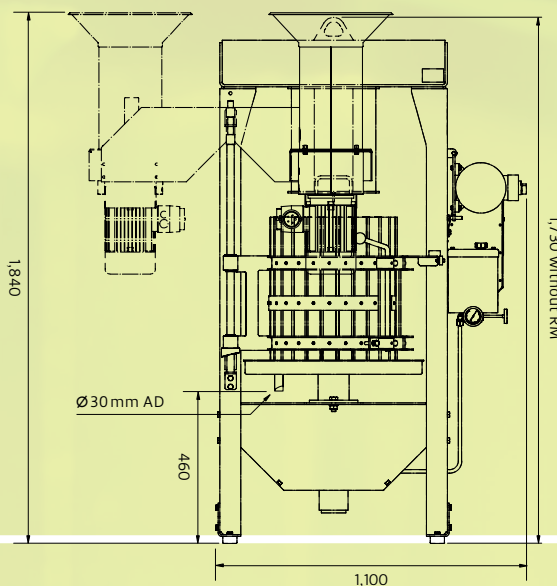
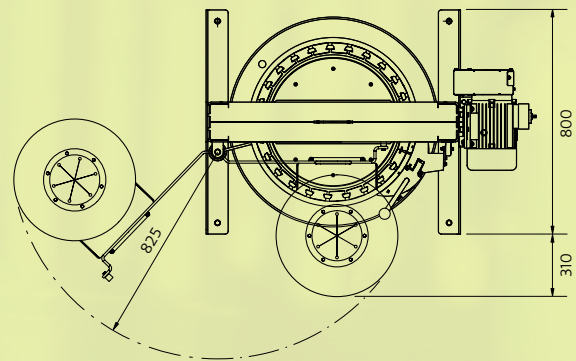
**Scope of supply:**  
Press disc, insert sleeve, press sack and press inserts

# ...and processing it further

## 60K



## 100K



Model	60K (RM1,5)	100K (RM1,5)
Rated throughput in kg/h	180	300
Motor power in kW (mill)	1.1/1.5	1.5/1.5
Press force in t	16	24
Electrical connection*	400V/50Hz (three-phase)	400V/50Hz (three-phase)
Plug	CEE 16 A	CEE 16 A
Length/width/height dimensions in mm (RM1,5)	1,100/600 (850)/1,720 (1,840)	1,180/800 (1,110)/1,900
Weight in kg (mill)	260 (30)	340 (30)
Diameter of the inserts in cm	38	48
Number of cloths	3	3
Design	Powder-coated steel	Powder-coated steel
Scope of supply (applies for both presses)	3 press inserts, 3 insert sleeves, press sack, press disc	

\* Other mains voltages and designs on request



# voran.at

voran business lines

- machines
- machine construction
- plant construction
- facades

How to find us



**voran** Maschinen GmbH  
 Production & Sales  
 Inn 7  
 A 4632 Pichl bei Wels  
 Austria | Europe  
 T +43(0)72 49 / 444-0  
 F +43(0)72 49 / 444-888  
 office@voran.at · www.voran.at

**Service hotline**  
 T +43(0)72 49 / 444-200