

OPEN TOP FERMENTATION TANK WITH AIR CAP AND COOLING JACKET



The PZ tanks with air cap is used for fermentation and storage of wine and other alimentary liquids. The high polished tank's inside does not allow the capture of wine scale and facilitates the cleaning of the tank. Pipes and valve are made of stainless steel AISI 304.

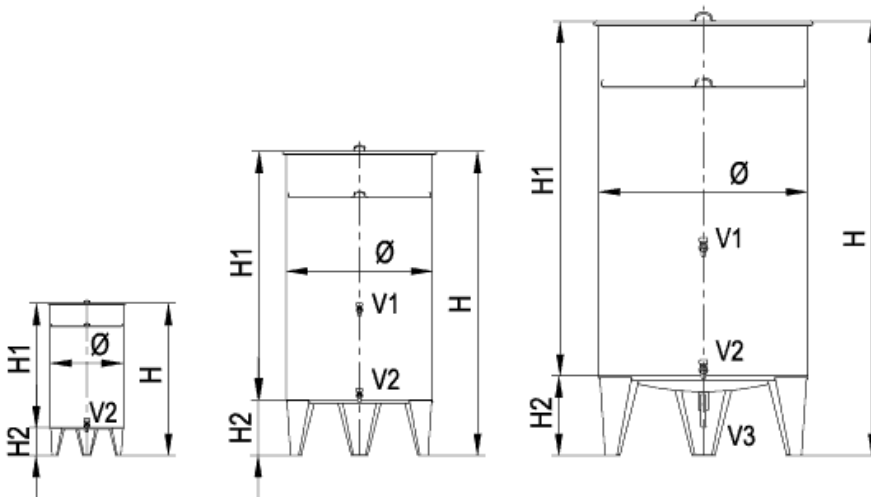
These variable capacity tanks have a dished bottom with bottom valve (from 320 litres model) for total draining, are supported on three legs, and have a racking outlet. They are easy to clean.

Basic equipment:

- dust cap,
- air cap with air tube and pump,
- sampling tap,
- tap on clean discharge,
- ball valve on total discharge (starting from PZ320A6),
- conical off-centered bottom (starting from PZ320A6),
- material AISI304/BA (W.Nr.1.4301/IIIId),
- polished with rotated overlapping pads,
- taps and valves made of stainless steel
- cooling/heating jacket.



MODEL	VOLUME (LITRES)	Ø (MM)	H2 (MM)	H1 (MM)	H (MM)	V1	V2	V3
PZ 100 A4	100	420	280	735	1015	3/8"	1/2"	-
PZ 150 A5	150	510	280	735	1015	3/8"	1/2"	-
PZ 200 A5	200	510	280	985	1265	3/8"	1/2"	-
PZ 320 A6	320	637	280	985	1265	3/8"	1/2"	3/4"
PZ 400 A6	400	637	280	1235	1515	3/8"	1/2"	3/4"
PZ 520 A7	520	730	280	1235	1515	3/8"	1/2"	3/4"
PZ 620 A8	620	797	280	1235	1515	3/8"	1/2"	3/4"
PZ 900 A10	900	956	300	1235	1535	3/8"	1"	1"
PZ 1100 A10	1100	956	300	1485	1785	3/8"	1"	1"
PZ 1500 A11	1500	1116	300	1485	1785	3/8"	5/4"	5/4"
PZ 2000 A11	2000	1116	300	1985	2285	3/8"	5/4"	5/4"



PRODUKTVARIANTEN

VARIANTE	PRODUKTCODE	PREIS
100 liters (PZH 100 A4)		Bruttopreis: 3 391 € Nettopreis: 2 757 €
150 liters (PZH 150 A5)		Bruttopreis: 3 733 € Nettopreis: 3 035 €
200 liters (PZH 200 A5)		Bruttopreis: 3 845 € Nettopreis: 3 126 €



320 liters (PZH 320 A6)	Bruttopreis: 4 266 € Nettopreis: 3 468 €
400 liters (PZH 400 A6)	Bruttopreis: 4 592 € Nettopreis: 3 733 €
520 liters (PZH 520 A7)	Bruttopreis: 5 073 € Nettopreis: 4 124 €
620 liters (PZH 620 A8)	Bruttopreis: 5 874 € Nettopreis: 4 776 €
900 liters (PZH 900 A10)	Bruttopreis: 7 369 € Nettopreis: 5 991 €
1100 liters (PZH 1100 A10)	Bruttopreis: 8 811 € Nettopreis: 7 163 €
1500 liters (PZH 1500 A11)	Bruttopreis: 11 160 € Nettopreis: 9 073 €
2000 liters (PZH 2000 A11)	Bruttopreis: 11 694 € Nettopreis: 9 507 €