



STORAGE OR FERMENTATION TANK WITH COOLING JACKET



Storage or fermentation tank with cooling jacket.

Standard equipment

- welded legs





- cooling jacket
- 2 x fitting ½" for cooling/heating medium
- total outlet - ball valve 1" (from 300 L to 800 L) or 5/4" (from 1100 L)
- partial outlet - ball valve 1" (from 300 L to 800 L) or 5/4" (from 1100 L)
- oval manway door (from 1100 L)
- manhole cover Ø385 mm
- sample tap DN15
- analog thermometer, thermowell (behind)
- level indicator Ø16 mm
- 2 x inert gas fitting ½"
- ladder support (from 1100 L)

VOLUME IN LITERS	D IN MM	H IN MM	H1 IN MM	H2 IN MM	H3 IN MM	Y IN MM	Z IN MM	CJ IN M2	CODE
300	636	1470	1000	320	500	150	400	0,8	06Z300L4V
500	794	1470	1000	320	500	150	400	0,9	06Z500L4V
600	794	1720	1250	320	625	150	400	0,9	06Z600L4V
800	794	1970	1500	320	750	150	400	0,9	06Z800L4V
1100	953	1970	1500	320	750	150	400	1,1	06Z1100L4V
1500	1115	2010	1500	360	750	150	400	1,4	06Z1500L4V
2000	1275	2010	1500	360	750	150	400	1,5	06Z2000L4V
2450	1430	2010	1500	360	750	150	400	2,1	06Z2450L4V
2600	1275	2510	2000	360	1000	150	400	1,9	06Z2600L4V
3300	1430	2510	2000	360	1000	150	400	2,1	06Z3300L4V

PRODUKTVARIANTEN

VARIANTE	PRODUKTCODE	PREIS
300 liters		Bruttopreis: 7 273 € Nettopreis: 5 913 €
500 liters		Bruttopreis: 8 566 € Nettopreis: 6 964 €
600 liters		Bruttopreis: 10 183 € Nettopreis: 8 279 €
800 liters		Bruttopreis: 11 314 € Nettopreis: 9 198 €
1100 liters		Bruttopreis: 14 493 € Nettopreis: 11 783 €
1500 liters		Bruttopreis: 16 702 € Nettopreis: 13 579 €





DESTILLER

Erstellt am: 2024-01-27 11:30

2000 liters

Bruttopreis: 19 126 €
Nettopreis: 15 550 €

2450 liters

Bruttopreis: 22 332 €
Nettopreis: 18 156 €

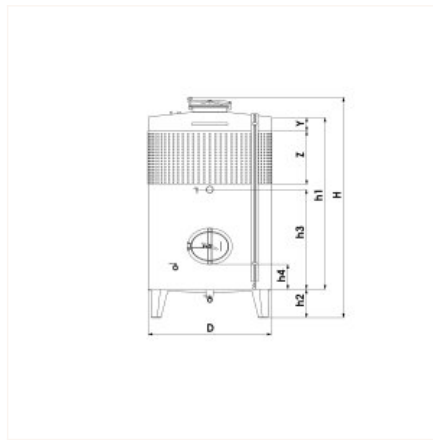
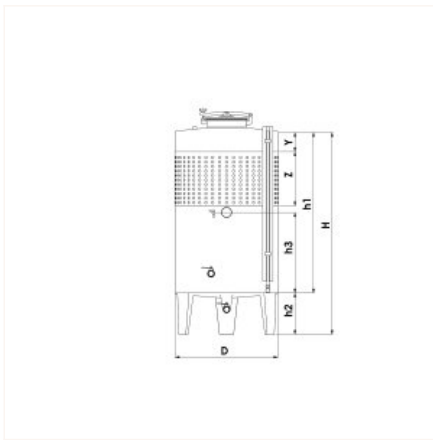
2600 liters

Bruttopreis: 23 436 €
Nettopreis: 19 054 €

3300 liters

Bruttopreis: 26 933 €
Nettopreis: 21 897 €

GALERIE



DESTILLER

Destiller - Anna i Seweryn Fabijaniak
ul. Grunwaldzka 37
37-560 Pruchnik
Tel.: +48 660 143 042
E-mail: biuro@destiller.pl

Godziny pracy
Poniedziałek - piątek 8:00 - 18:00
www.destiller.pl